

# Mounting of measure probe TDS-61xxx - TDS-91xxx

## In General:

Mounting of the measure probe in oil tanks should be performed by qualified persons only, in particular when the tank is a sub-grounded tank or outdoor tank.

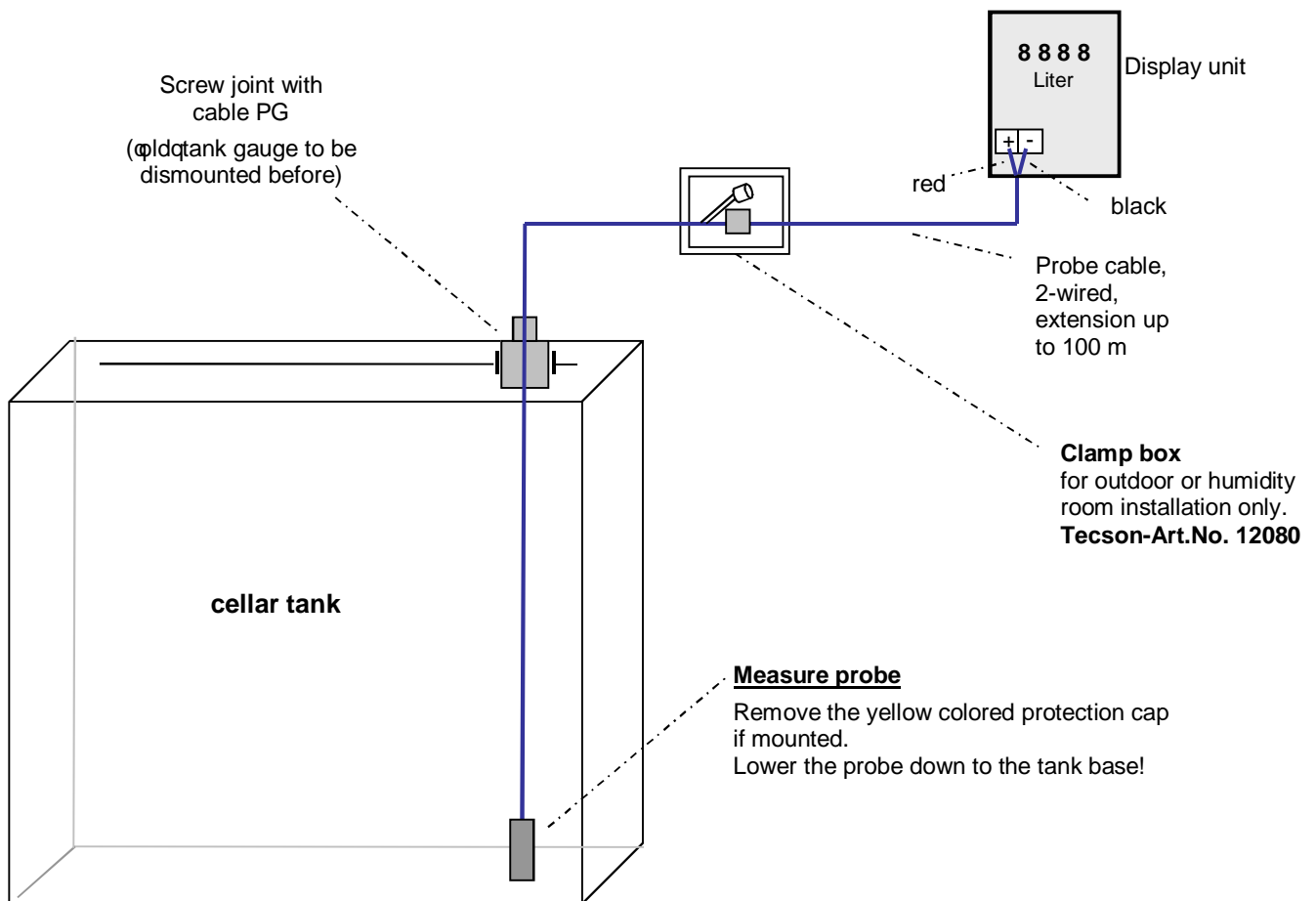
The probe cable is in standard 6 meters long. It has + (red) and - (black) to be connected to a 4 . 20 mA measure input. Extension up to 100 meters and more is possible, e.g. using 2 x 0,4 mm<sup>2</sup> wire. For instance telephone cable can be used. In case of electrical disturbance by other electrical cables a shielded cable should be used, with shielding connected to ground.

Beside the red and black wire the probe cable has a ventilation capillary with a small filter.  
For outdoor cable extension use the special clamp box (Tecson Art.No. 12080 ) which is ventilated but keeps dry.

In case of a replacing a defective or older measure probe and the display unit has been trimmed before then perform a new zero point calibration with the new measure probe! After that lower to measure probe to the tank base.

The probe should touch the tank ground (ref. image). The measure probe may be positioned standing upright or may be positioned lying.

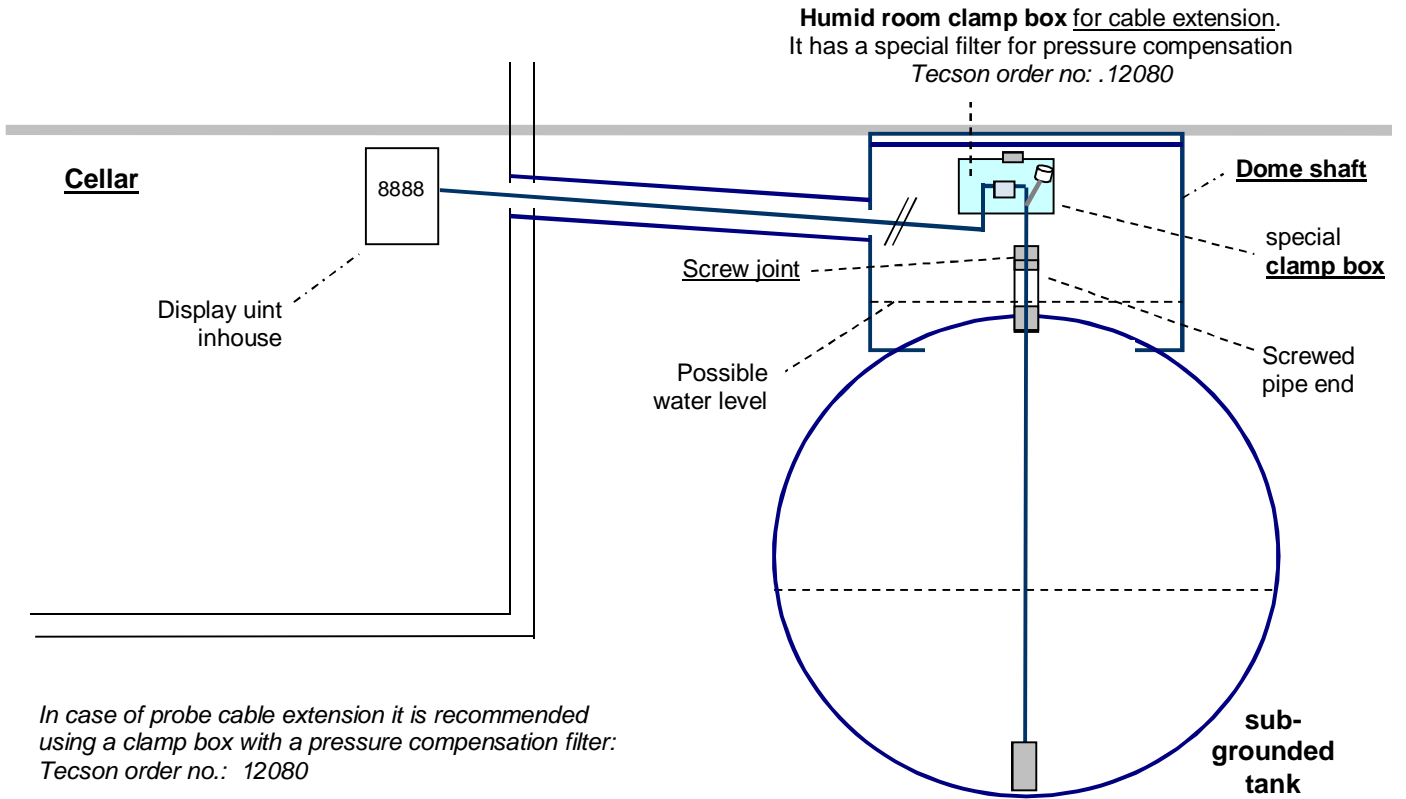
## Probe mounting at cellar tank (steel tank):



Scope of delivery of the level display system:

- the display unit
- the measure probe
- and the screw joint for 1‰ resp. 1½‰

**Probe mounting at sub-grounded tank:**



**Mounting at plastic tanks:**

