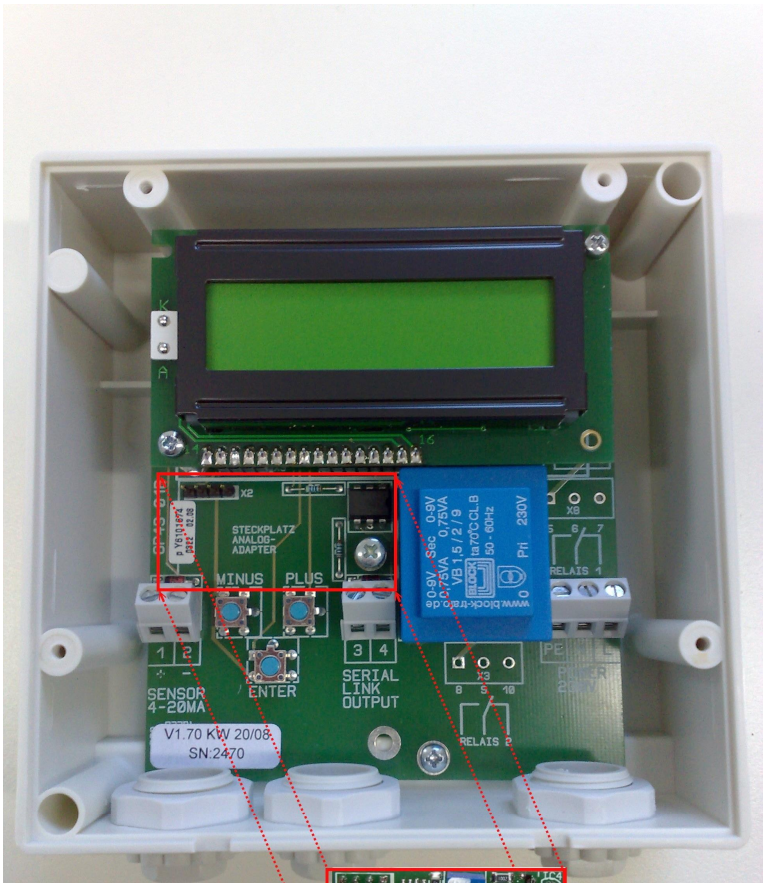
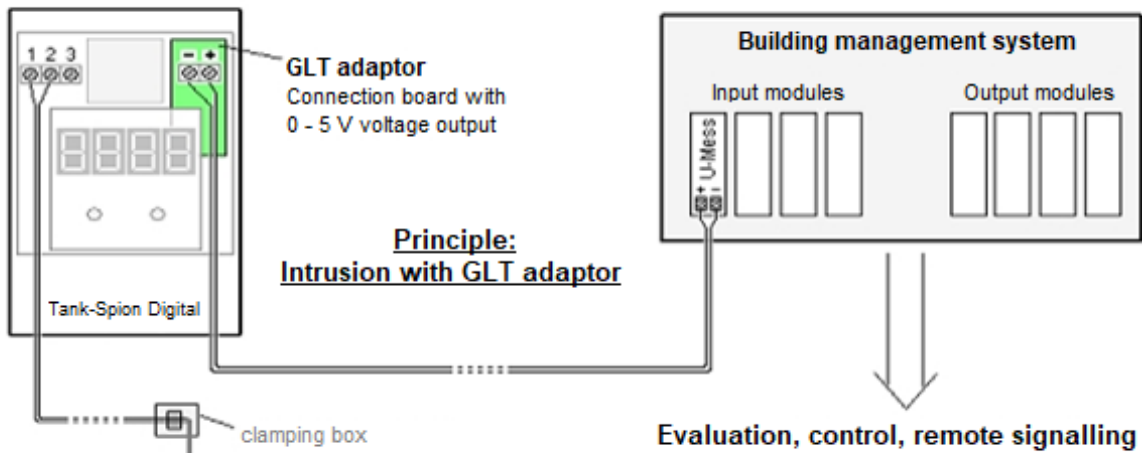
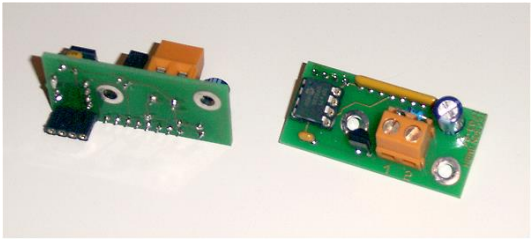


# GLT-Adaptor

## Voltage output for digital oil tank displays

The GLT adaptor is an upgradeable plug that provides an analog voltage output. It is applicable for the device series *Tank-Spion Digital LX-2* and *LX-n*.

The GLT adaptor enables a value transmission of the current filling level to the analog input of common control systems. The output signal is a normalized 0 . 5 V signal. Tank type, size and geometry are taken into account. The following linear context applies:  
 0.0 V = 0% tank inventory . . . 5.0 V = 100% tank inventory.



Plug the adaptor onto the contact strip and fasten it with an M3 screw.

